

# FLOS

■ F3305030 Black

## Kelvin Led Floor

Designed by Antonio Citterio/assistant Toan Nguyen, Antonio Citterio, 2011

8W - 523lm - 2700K - CRI> 90

Floor lamp. Head in pressofused aluminium, diffuser in PC. Power pack on plug, base cover in injection printed PC, counterweight in iron cut and painted by means of a cataphoresis process. Directionable head. Three-step ON/OFF switch with Soft Touch technology. Base separated from the lamp body with safety locking pin.



Are you a professional and your project needs consulting and support?

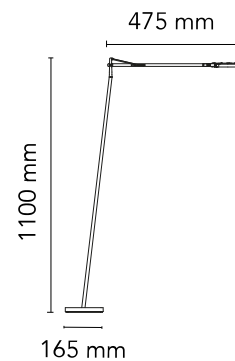
[BOOK AN APPOINTMENT](#)

### Main specifications

|                        |                     |
|------------------------|---------------------|
| Mounting               | Floor               |
| Environments           | Indoor dry location |
| Light source type      | LED                 |
| Light sources included | Yes                 |
| LED type               | LED Module          |
| Power (W)              | 8                   |
| Lumen Output (lm)      | 523                 |

### Physical

|                     |       |
|---------------------|-------|
| Colour              | Black |
| Length (mm)         | 675   |
| Cord colour         | Black |
| Cord length (mm)    | 1500  |
| Net weight (kg)     | 4.05  |
| Package volume (m3) | 0.04  |
| IP internal         | 20    |



### Download

[Mounting instructions](#) PDF

[Mounting instructions](#) PDF

### Photometric Files

[LDT / IES](#) LDT

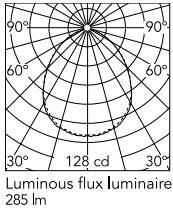
### Technical Drawings

[2D](#) ZIP

[3D](#) ZIP



## Schematic light drawing



## Photometric

|                    |           |
|--------------------|-----------|
| Lighting type      | Direct    |
| Light distribution | Symmetric |
| CCT (K)            | 2700      |
| CRI>               | 90        |
| Extreme cut off    | No        |

## Electrical

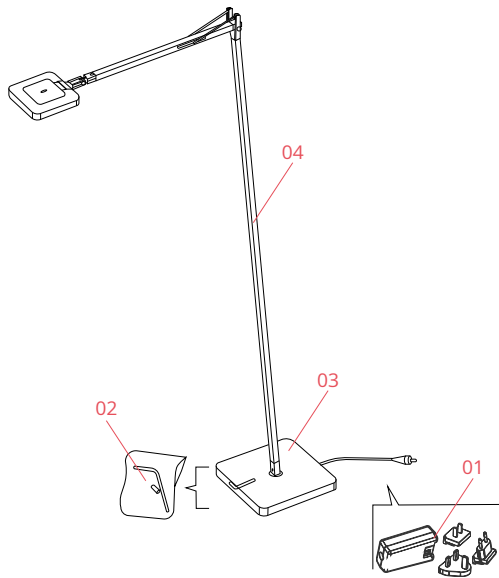
|                    |                        |
|--------------------|------------------------|
| Insulation class   | III                    |
| Frequency (Hz)     | 50/60                  |
| Main voltage (Vac) | 100-240                |
| Power supply       | Remote included        |
| Dimmable           | Yes                    |
| Power supply type  | Electronic 24V         |
| Dimming interface  | Dimmer Integrated      |
| Plug type          | Type A, Type C, Type G |
| Batteries inside   | No                     |

## Ecodesign and Energy Labelling

This product contains a light source of energy efficiency class F



## Spare Parts



- |     |  |           |
|-----|--|-----------|
| 01. | Black plug assembly kit & 24V driver           | RF6600230 |
| 02. | Kelvin Led Floor Kit with screw and allen keys | RF3320300 |
| 03. | Kelvin led gm black base                       | F3322030A |
| 04. | Kelvin led Floor black body                    | F3306030  |



RF6600230  
Black plug assembly kit & 24V driver



RF3320300  
Kelvin Led Floor Kit with screw and allen keys



F3322030A  
Kelvin led gm black base



F3306030  
Kelvin led Floor black body